

# HPX Recessed Spackle Flange Installation Instructions

## Overview

### NOTES

- If luminaire contains a sensor or socket refer to the appropriate Addendum.
- All power connections should be installed according to local/national codes by a Certified Electrician.
- This installation requires **proper support** as each luminaire is being installed.
- **DO NOT attempt to join luminaires together on the floor.** Damage may result when lifted.



HELPFUL  
VIDEOS



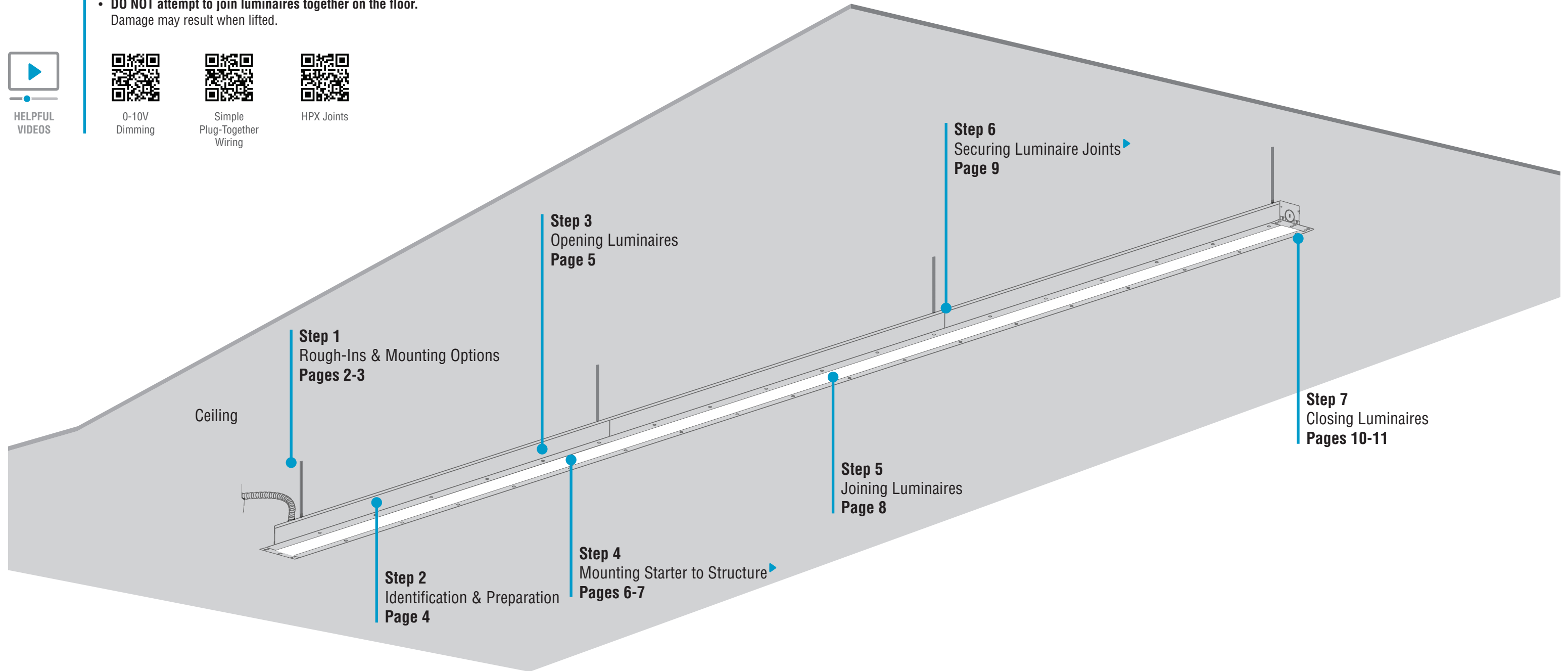
0-10V  
Dimming



Simple  
Plug-Together  
Wiring



HPX Joints



# HPX Recessed Spackle Flange Installation Instructions

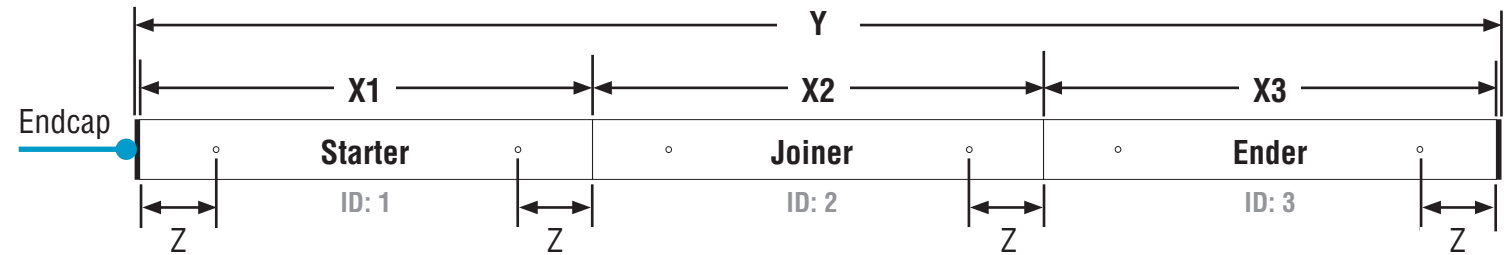
## Step 1 - Rough-Ins & Mounting Options

### Mount Starter to Structure

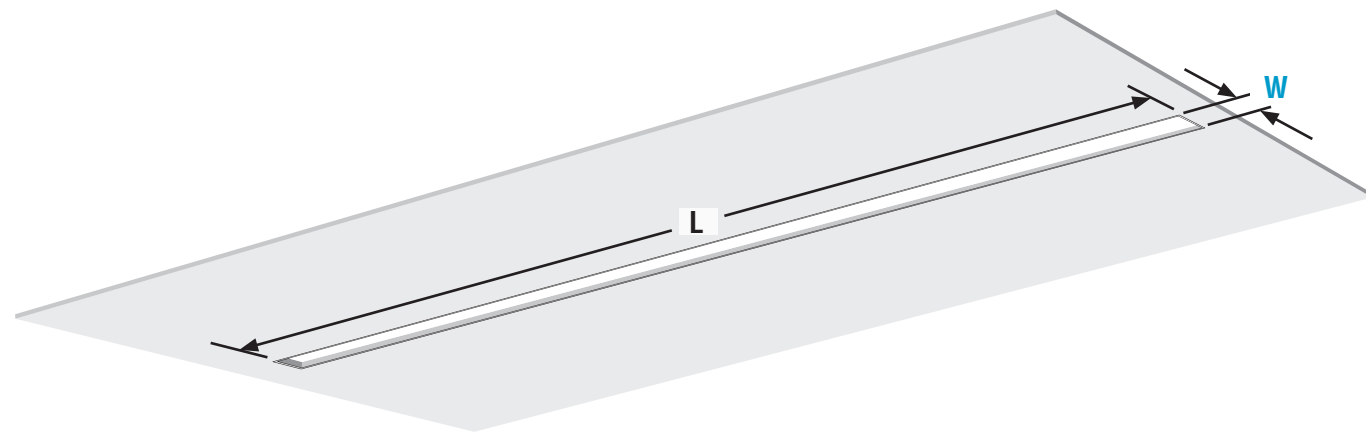
X = Luminaire section length (Does not include endcaps)  
 Y = Total run length of luminaire (Includes 1/8" for BOTH endcaps)  
 Z = Mounting hole location  
 Endcap = 1/16"

	<b>Z = Mounting Hole Location</b> (Does not include endcaps)
HPX	4"

Refer to Record Drawings and building plans to determine exact mounting, suspension points, and power feed locations.



### Rough-In Lengths

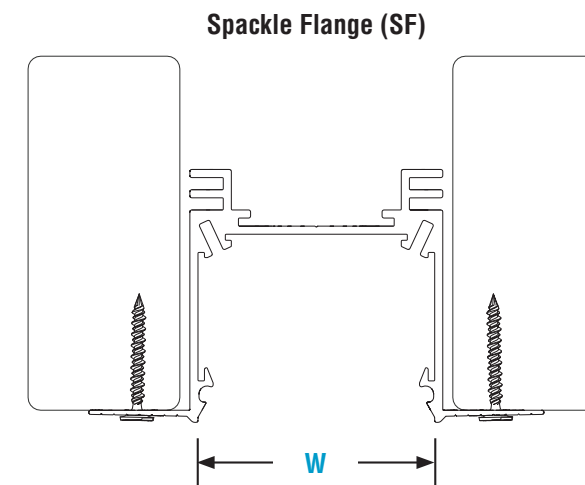


**L = Total Run Rough-In Length\***

	<b>Spackle Flange</b>
HPX	Y + 3/4"

\* Tolerance +/- 1/16"

### Rough-In Widths



**W = Rough-In Width\***

	<b>Spackle Flange</b>
HPX	2-7/8"

\* Tolerance +/- 1/16"

- Use rough-in **Length & Width** dimensions and Record Drawings to determine rough-in measurements.
- Build wall/ceiling with rough-in according to rough-in dimensions.
- **CRITICAL:** Drywall or weak paneling must be secured to blocking (studs) around rough-in opening in the wall/ceiling.

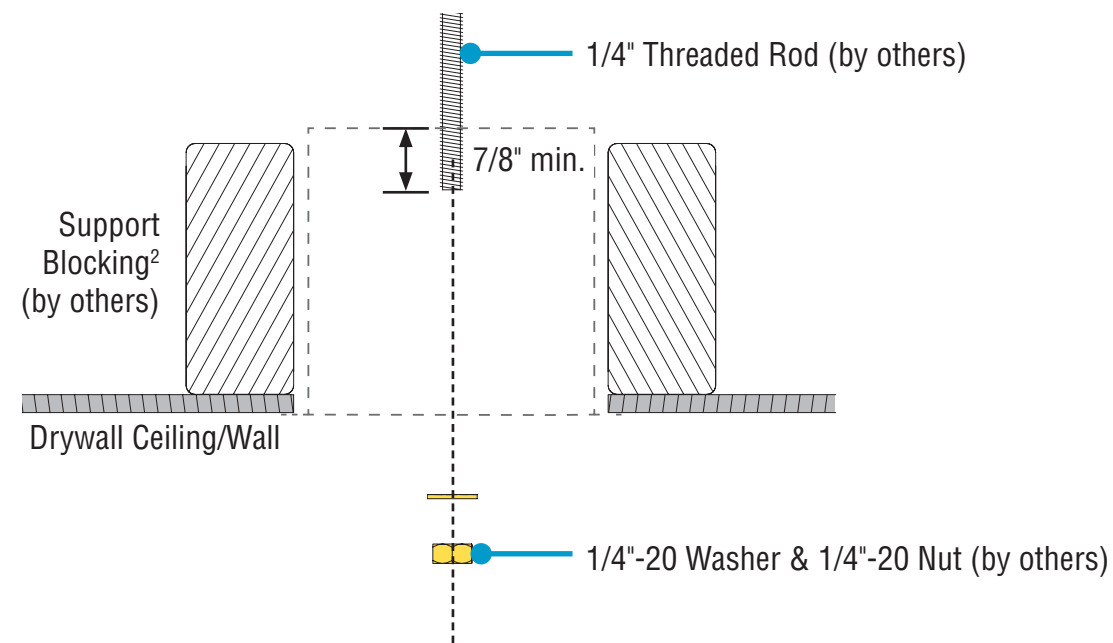
CONTINUED

# HPX Recessed Spackle Flange Installation Instructions

## Step 1 - Rough-Ins & Mounting Options

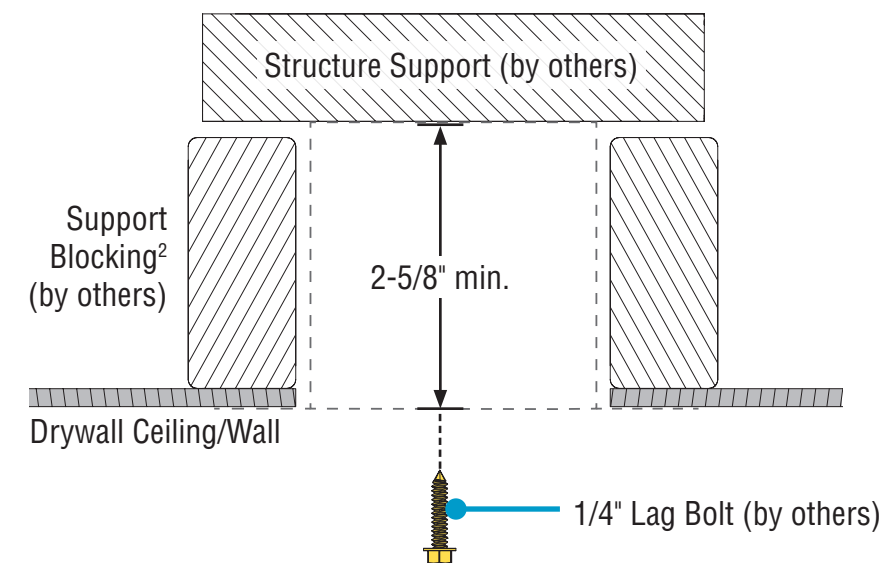
### Mounting Options

#### Option 1 - Mount to Threaded Rod

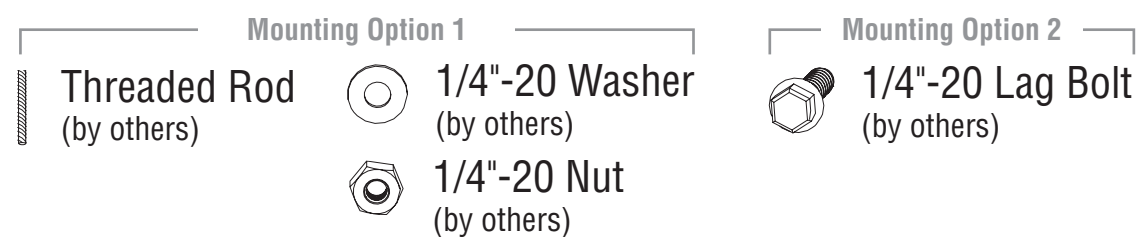


- Luminaire mounting holes sized for 1/4"-20 threaded rod.
- Distance from threaded rod to wall/ceiling surface<sup>1</sup> must be a minimum of 7/8".
- Refer to Record Drawings to determine mounting hole locations on luminaires and install threaded rods to structure.

#### Option 2 - Mount to Structure



- Distance from support block to wall/ceiling surface<sup>1</sup> must be a minimum of 2-5/8".
- Refer to Record Drawings to determine mounting hole locations on luminaires and install support blocking<sup>2</sup> to structure.



<sup>1</sup> Wall/ceiling surface = drywall, wood, concrete or masonry, metal panels, tile, etc.

<sup>2</sup> Support blocking = Wooden beams/studs, sheet metal framing beams, steel beams, concrete beams, etc. Use hardware appropriate to the beam material.

# HPX Recessed Spackle Flange Installation Instructions

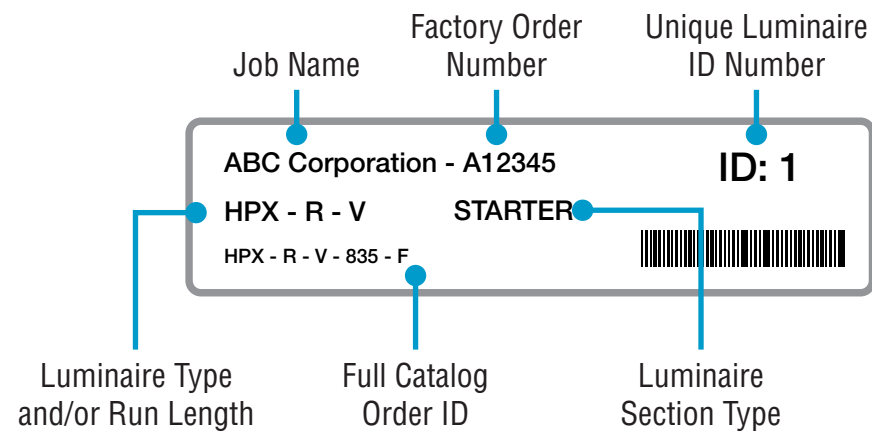
## Step 2 - Identification & Preparation

### A. Identify Luminaires



**CAUTION**

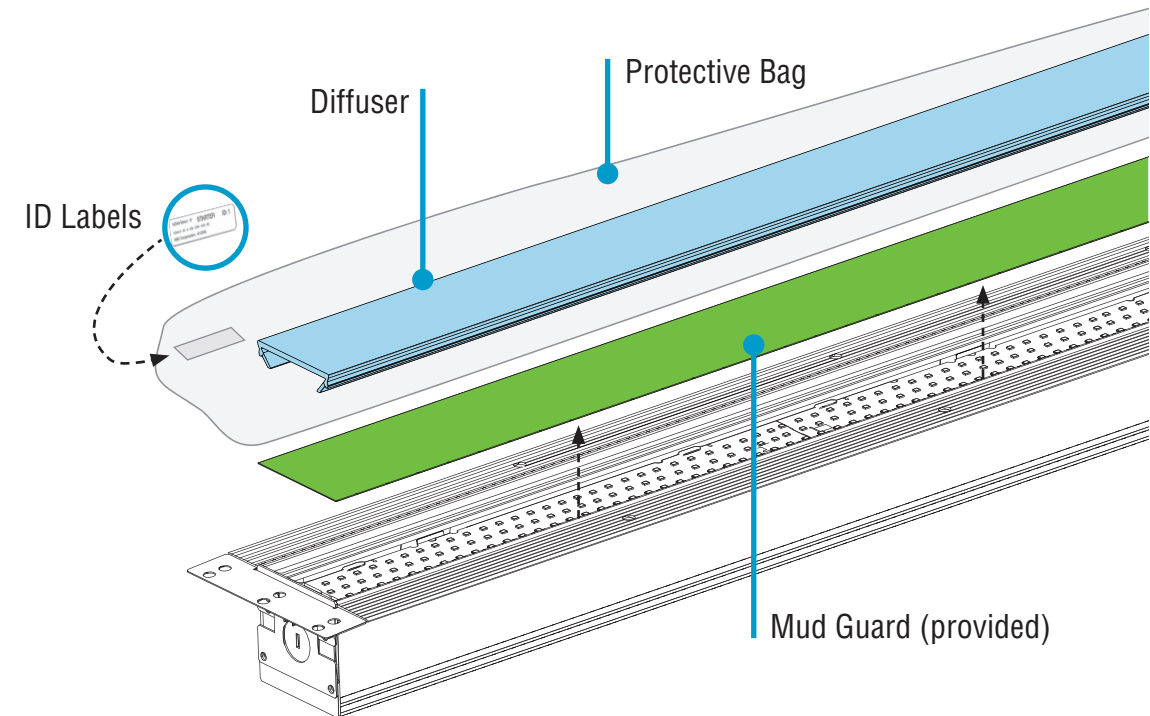
Arrange luminaires in order according to ID# at their install locations.



- Identify all luminaires by their ID label that can be found on the box, on the diffuser, and inside the luminaire.
- **NOTE:** Exact location of labels in these areas may vary.
- Remove all luminaires from their box.
- Refer to Record Drawings that can be found in the hardware kit.

### B. Remove Diffusers

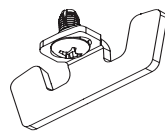
Remove Diffusers



- Carefully remove all diffusers, keeping them inside their protective bags.
- Set aside all diffusers to prevent from getting dirty or damaged.
- Ensure diffusers can be clearly identified back to their corresponding luminaire.
- **CAUTION:** Carefully remove "Mud Guards" and keep them as they will be reinstalled in Step 10, B.

### Kitted Hardware

- Finelite has provided items listed here, with their Finelite part numbers. These items can be found in separate boxes shipped with the luminaire.
- Account for all parts and set aside until they are needed.
- All other hardware needed for this installation will be by others.



**Yoke Bracket**  
Part# 30007

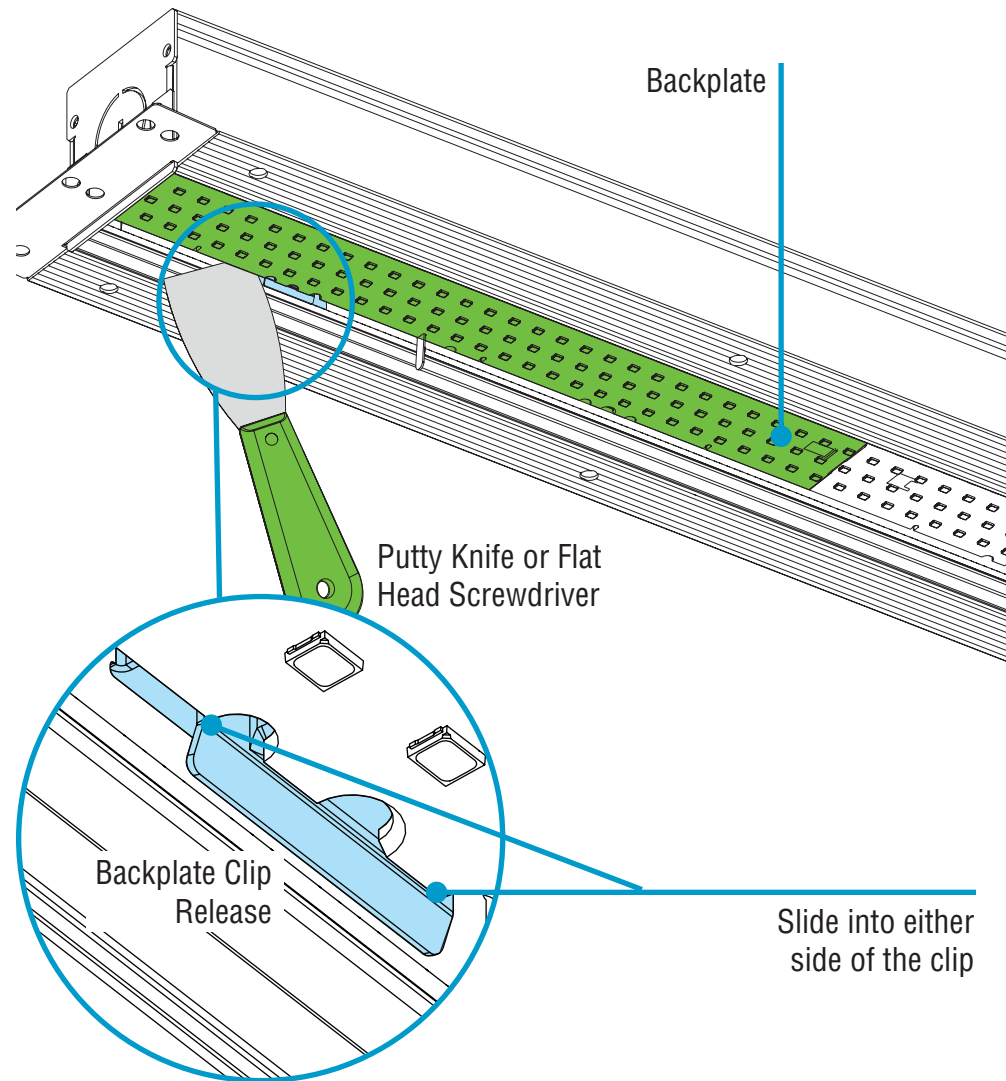
**Washer**  
Part# 94111

**#10-32 x 5/8" Screw**  
Part# 94144  
Securing Luminaire Joints  
p. 9, Step 6

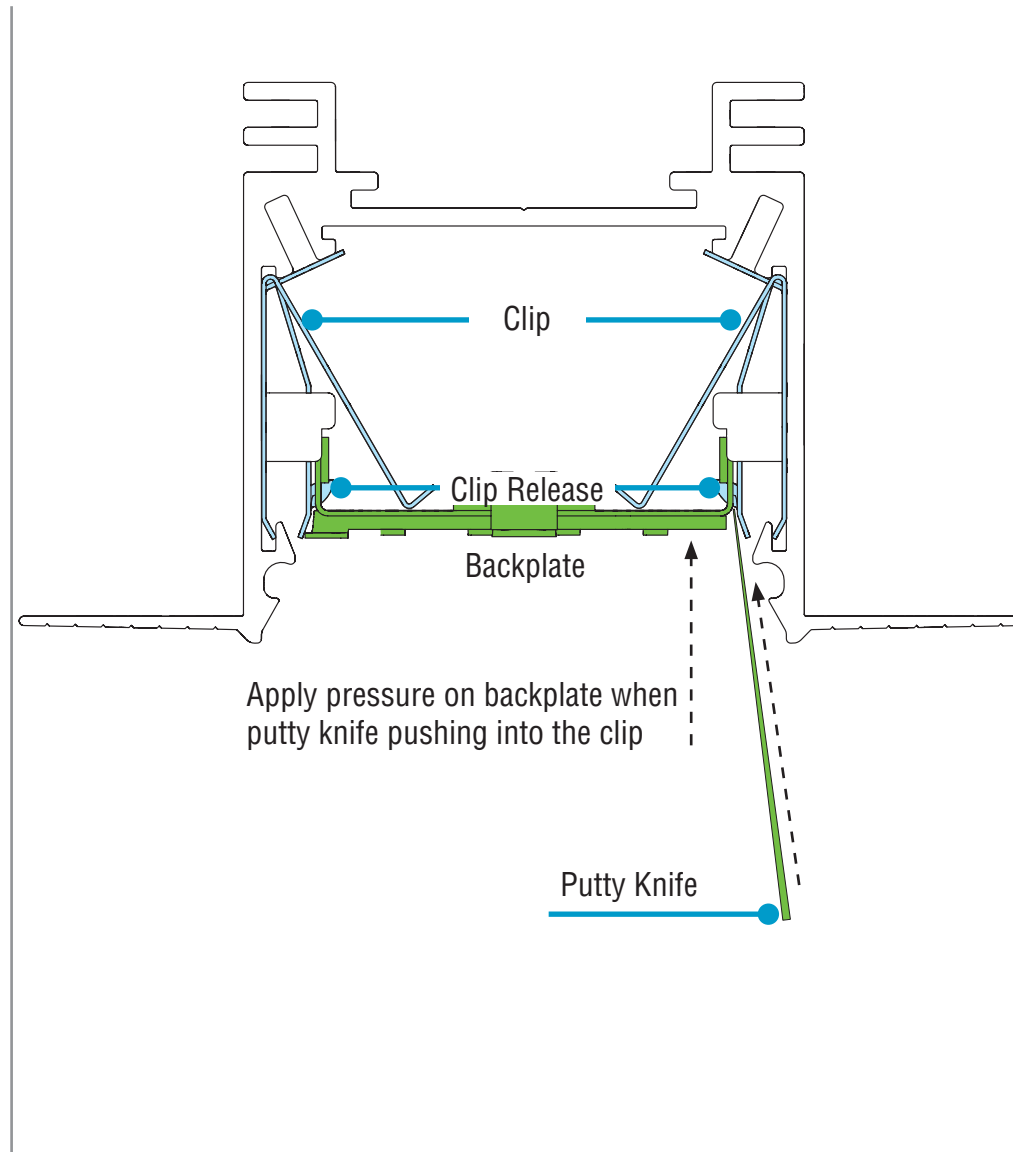
# HPX Recessed Spackle Flange Installation Instructions

## Step 3 - Opening Luminaires

**Remove Downlight Backplates** Bottom View

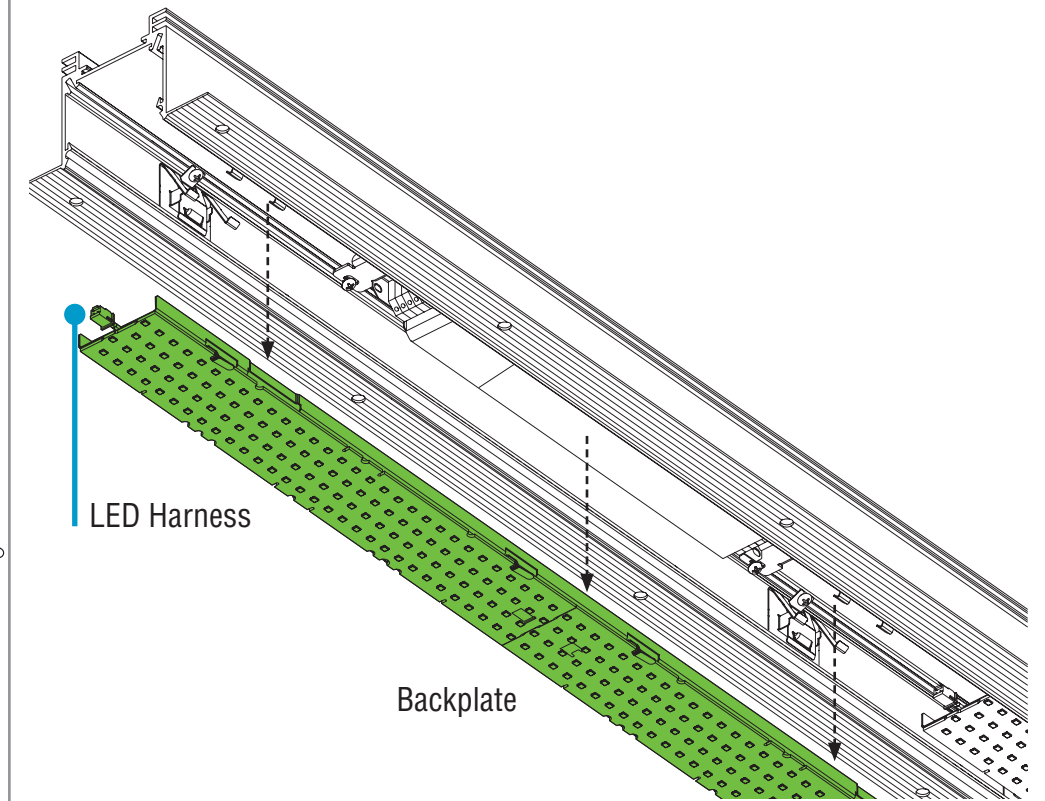


- Locate the backplate clip and use Putty Knife or Flat Head Screwdriver slide into either side of the clip
- Apply mild pressure to backplate when Putty Knife or Flat Head Screwdriver pushing into backplate clip release



- Hear a click sound to release the backplate
- Four backplate clip per LED backplate. Release all four before remove backplate

**Remove Downlight Backplates** Bottom View

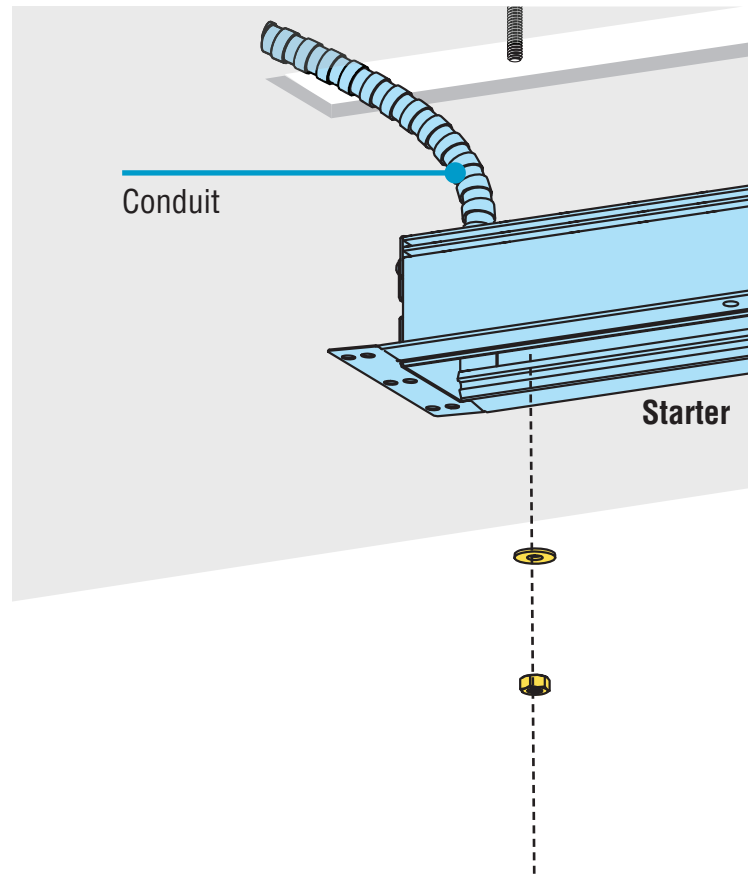


- Set aside backplates to prevent from getting dirty or damaged.
- Ensure backplates can be clearly identified back to their corresponding luminaire.

# HPX Recessed Spackle Flange Installation Instructions

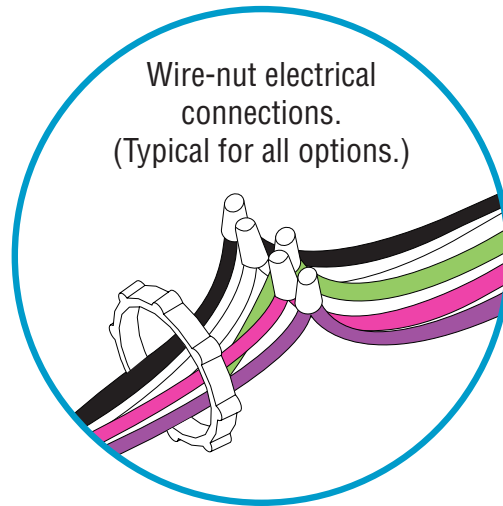
## Step 4 - Mounting Starter to Structure

### A. Make Electrical Connections



- While properly supporting luminaire, maneuver luminaire near wall/ceiling opening.
- Make electrical connections

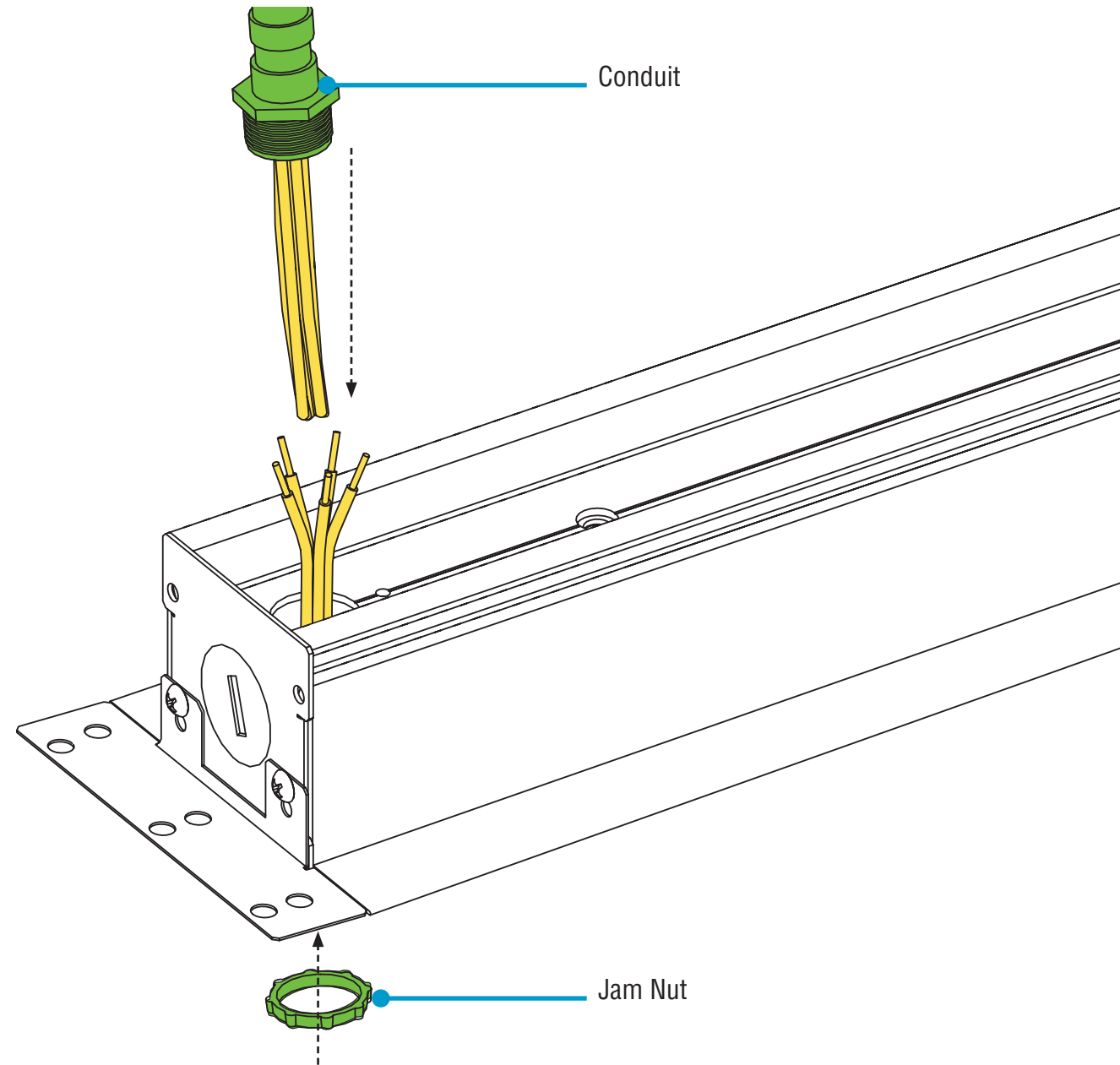
### Electrical Connection

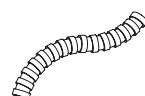


**WIRING LEGEND**

<b>Black</b>	Hot	Line Voltage
<b>White</b>	Neutral	Line Voltage
<b>Green</b>	Ground	
<b>Pink</b>	Dimming	0-10V DC
<b>Purple</b>	Dimming	0-10V DC

- Install conduit and jam nut.
- Wire-nut electrical connections. See wiring legend above.



 Flex Conduit  
(by others)

 Jam Nut  
(by others)

CONTINUED

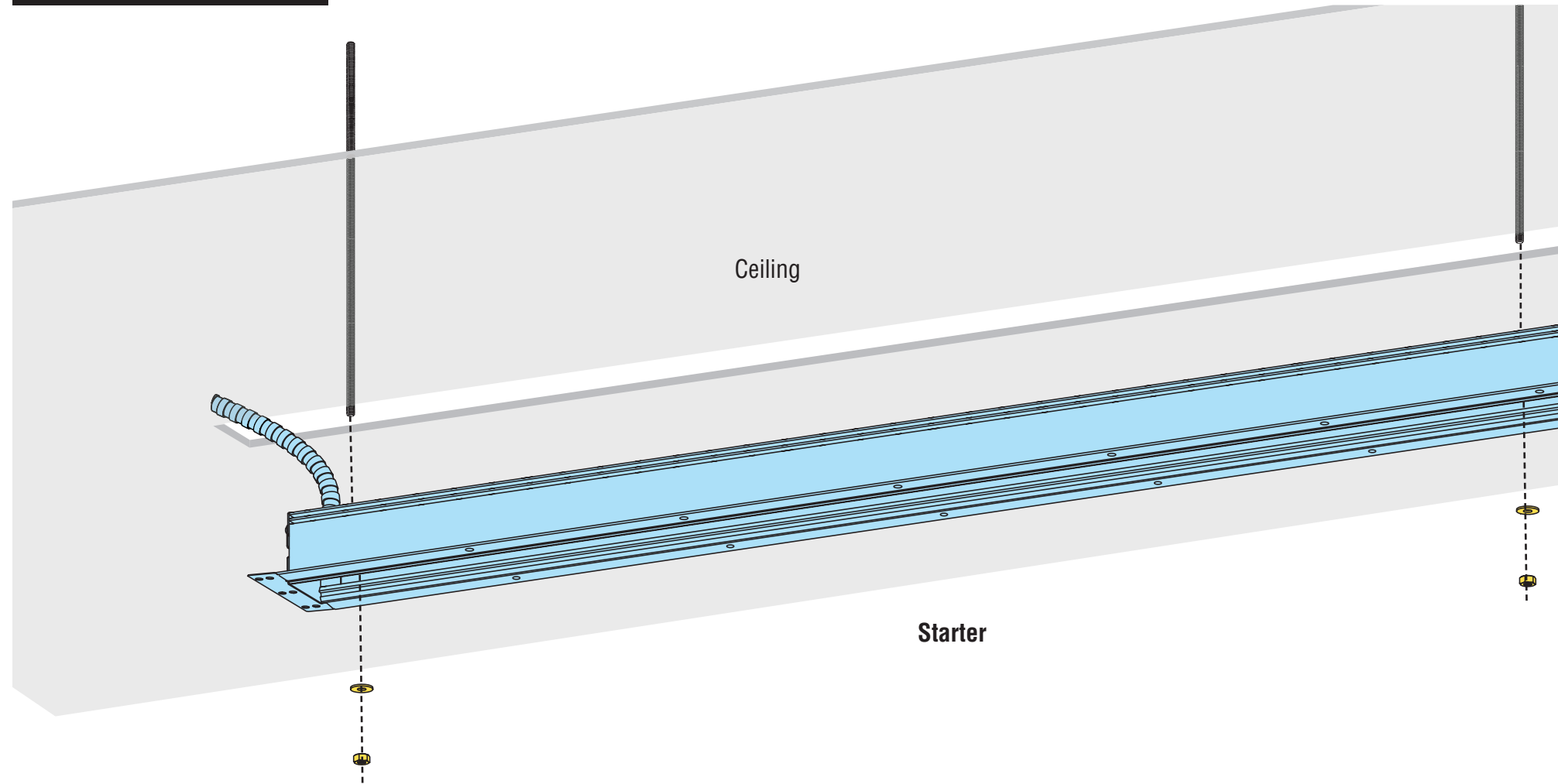


0-10V  
Dimming

# HPX Recessed Spackle Flange Installation Instructions

## Step 4 - Mounting Starter to Structure

### B. Mount Starter to Structure



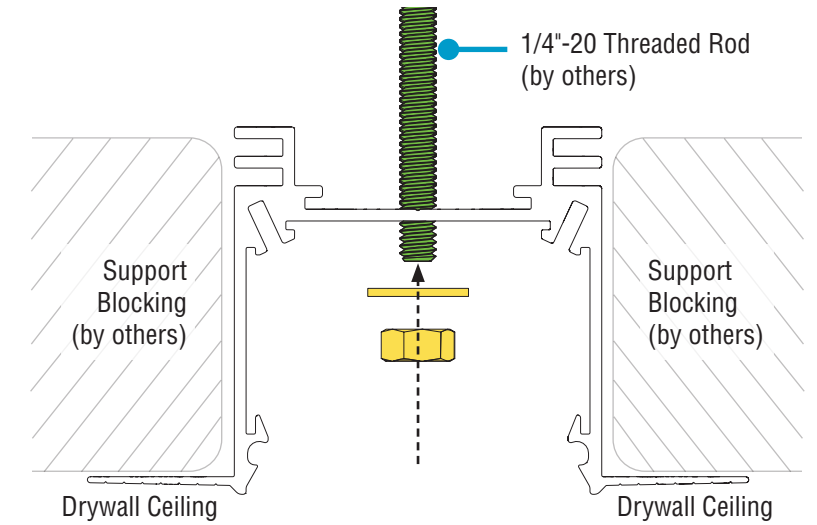
#### Option 1 (Shown) - Mount to Threaded Rod

- Align threaded rods with mounting holes and slide luminaire into wall/ceiling.
- Install 1/4"-20 nut and 1/4"-20 washer onto 1/4"-20 threaded rod.
- **CRITICAL:** If installing a joiner luminaire in the next step, leave the nut loose, allowing the luminaire to hang out of ceiling at an angle.
- If there is no joiner/ender, then tighten nuts fully. **PROCEED TO STEP 7.**

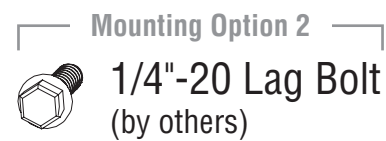
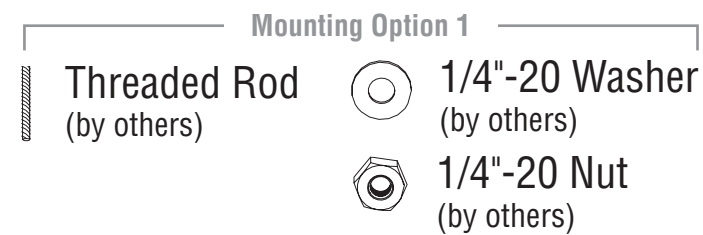
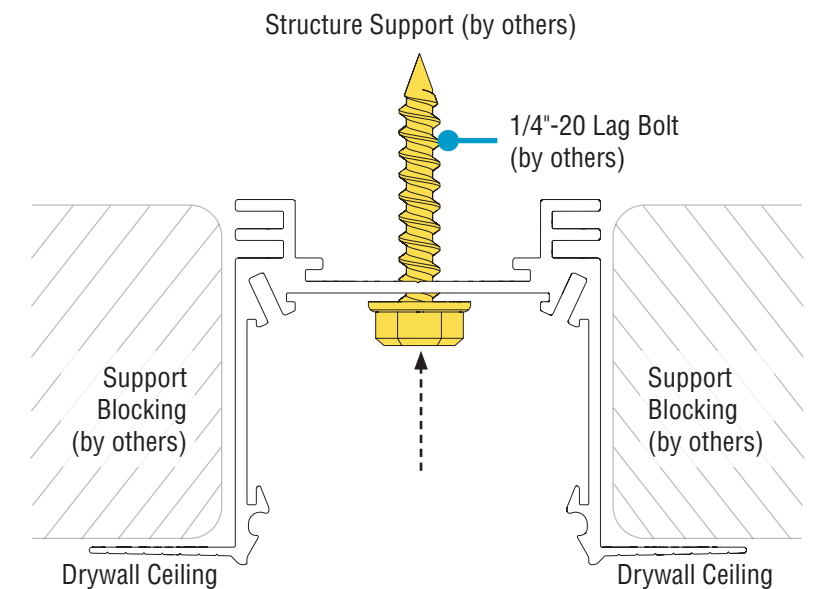
#### Option 2 - Mount to Structure

- Slide luminaire into wall/ceiling and mount to structure support with hardware appropriate for the structure type.
- **CRITICAL:** If installing a joiner luminaire in the next step, leave the bolt/screw loose, allowing luminaire to hang out of ceiling at an angle.
- If there is no joiner/ender, then tighten nuts fully. **PROCEED TO STEP 7.**

#### Option 1 (Shown) - Mount to Threaded Rod



#### Option 2 - Mount to Structure



# HPX Recessed Spackle Flange Installation Instructions

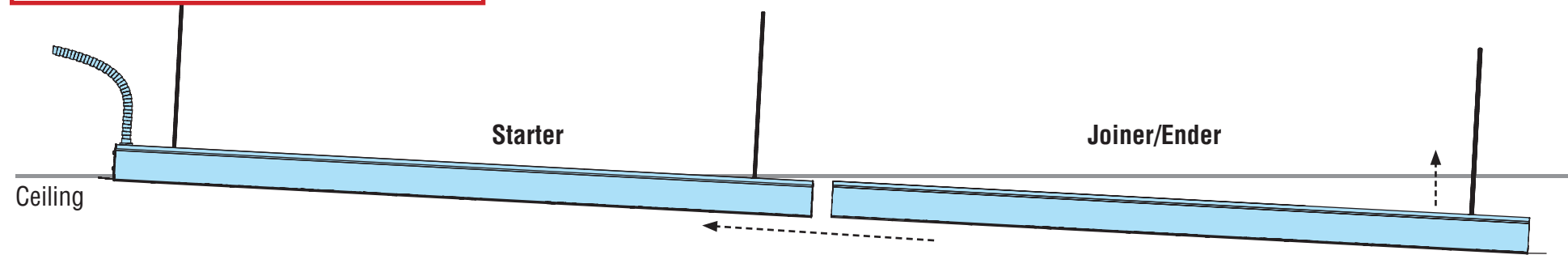
## Step 5 - Joining Luminaires

### A. Mount Joiner/Ender to Structure

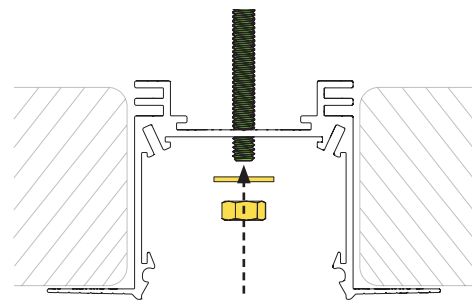


**CAUTION**

**DO NOT** attempt to join luminaires together on the floor. Damage may result when lifted. Follow these instructions.

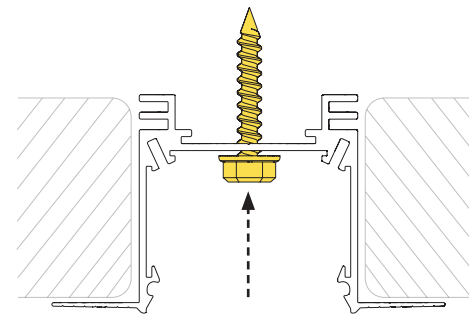


- While properly supporting luminaire, maneuver luminaire near wall/ceiling opening.
- If necessary, loosen bolts on previous luminaire so that it can hang out of the opening at an angle.
- After installing a joiner, return to previous luminaire and tighten.



#### Option 1 (Shown) - Mount to Threaded Rod

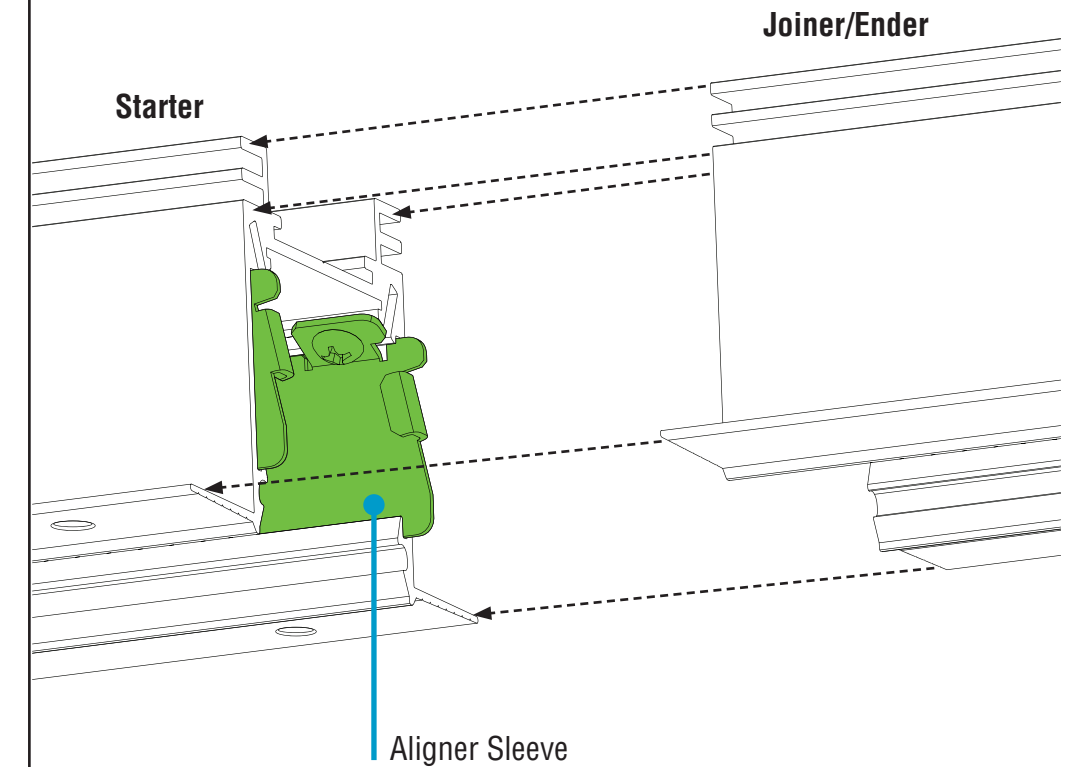
- Align threaded rods with mounting holes and slide luminaire into wall/ceiling.
- Install 1/4"-20 nut and 1/4"-20 washer onto 1/4"-20 threaded rod.
- **CRITICAL:** If installing a joiner luminaire in the next step, leave the nut loose, allowing the luminaire to hang out of ceiling at an angle.
- If there is no joiner/ender, then tighten nuts fully.



#### Option 2 - Mount to Structure

- Slide luminaire into wall/ceiling and mount to structure support with hardware appropriate for the structure type.
- **CRITICAL:** If installing a joiner luminaire in the next step, leave the bolt/screw loose, allowing luminaire to hang out of ceiling at an angle.
- If there is no joiner/ender, then tighten nuts fully.

### B. Join Luminaires



- Align joiner/ender with aligner sleeves on starter and slide together. Be careful not to damage any wiring.
- If necessary, **lift** both luminaires, then slide together.

#### Mounting Option 1

Threaded Rod  
(by others)



1/4"-20 Washer  
(by others)



1/4"-20 Nut  
(by others)

#### Mounting Option 2



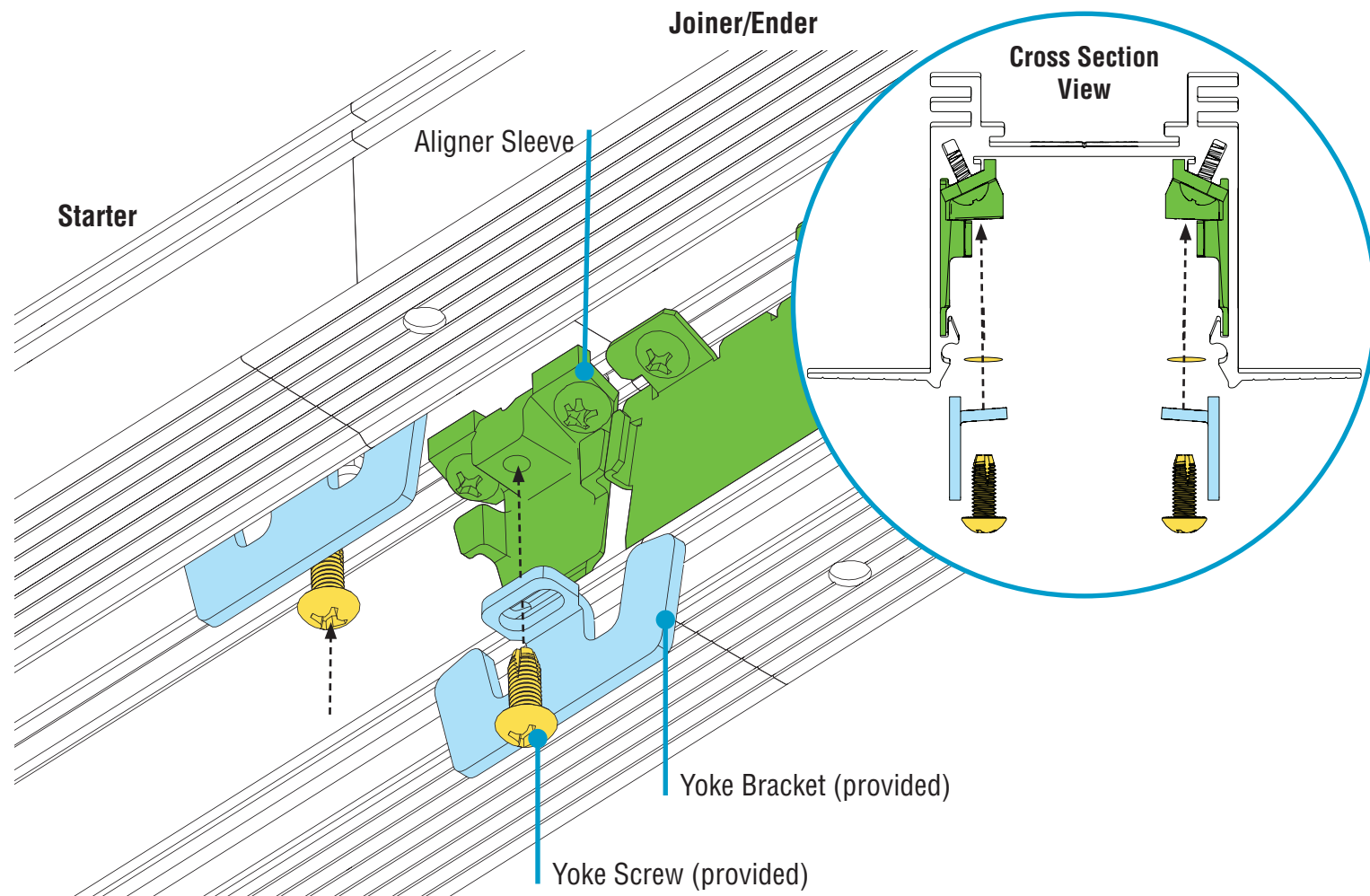
1/4"-20 Lag Bolt  
(by others)



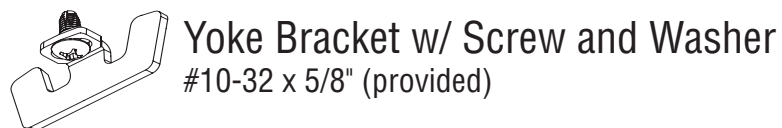
# HPX Recessed Spackle Flange Installation Instructions

## Step 6 - Securing Luminaire Joints

### A. Secure Joint with Yoke Brackets Bottom-Up View

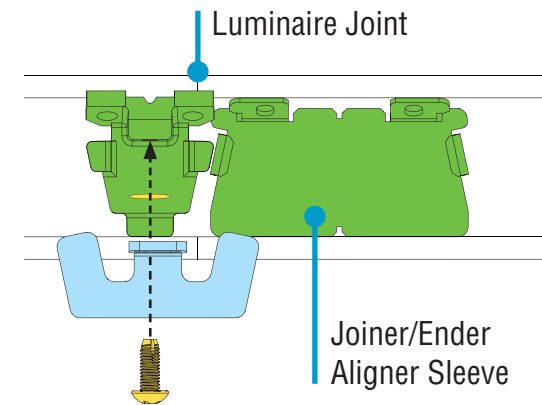


- Before installing yoke brackets, ensure the joining ends of luminaires meet flush and square.
- **CRITICAL:** Ensure yoke brackets properly engage with aligner sleeves.
- Secure joint by threading (but not yet tightening) yoke screws through yoke brackets and washers and into the aligner sleeves.
- **NOTE:** Ensure luminaires meet flush and square before fully tightening yoke screws.
- Tighten yoke screws<sup>1</sup> until joint seam of luminaires is closed.

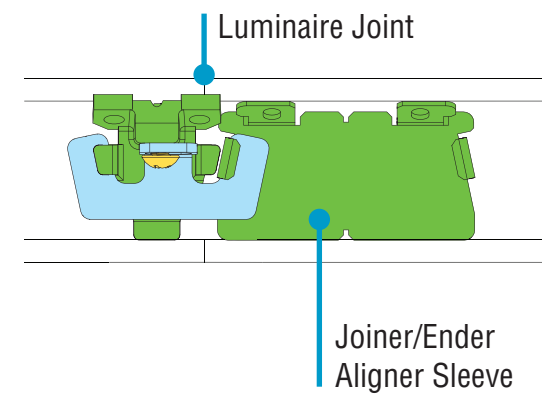


<sup>1</sup> Screwdriver with 6" bit required.

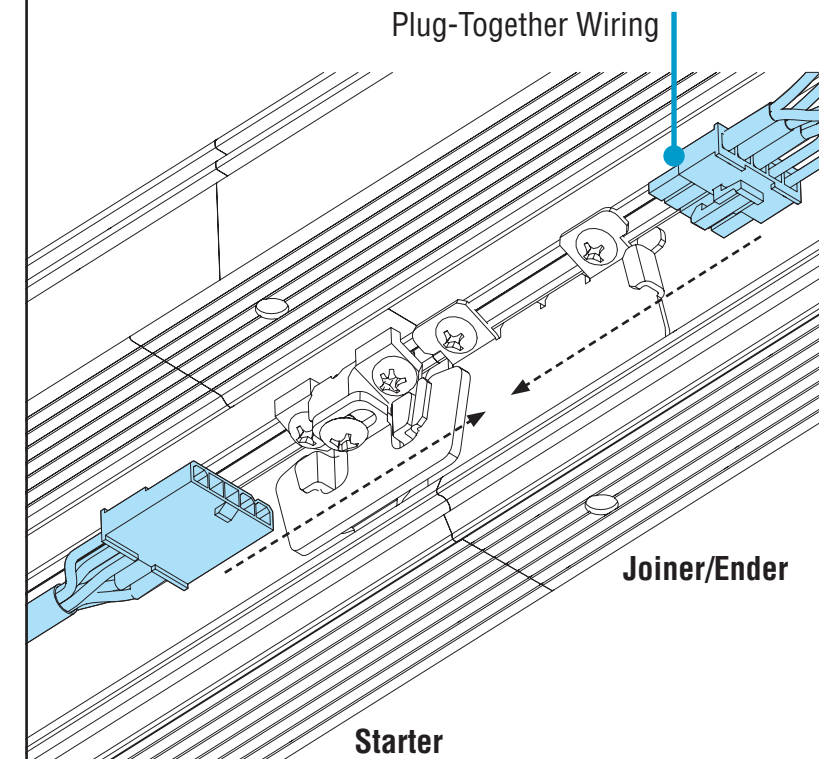
### IN ALIGNMENT



### CORRECTLY INSTALLED



### B. Make Electrical Connections Bottom-Up View



- Connect plug-together wiring.



HPX Joints

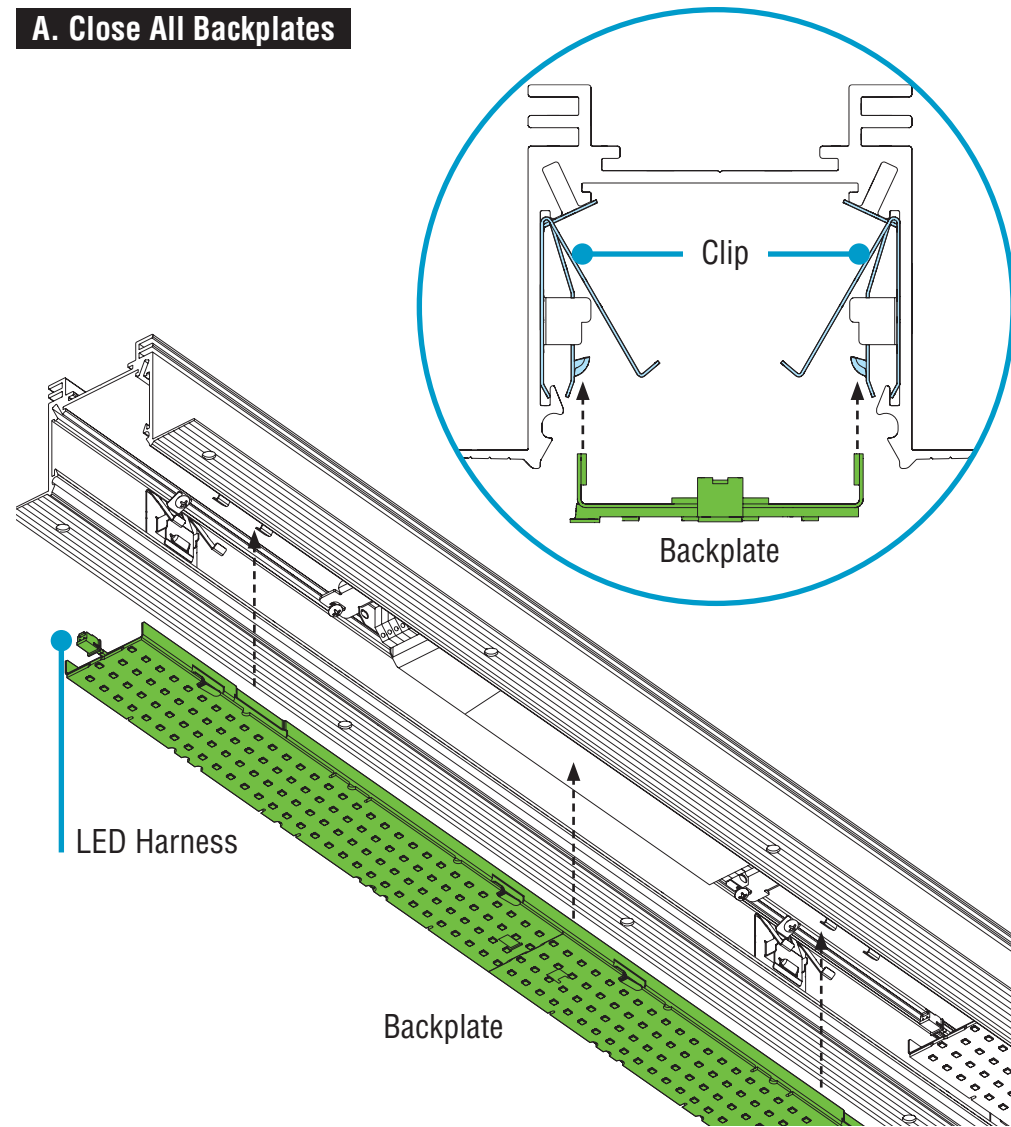


Simple Plug-Together Wiring

# HPX Recessed Spackle Flange Installation Instructions

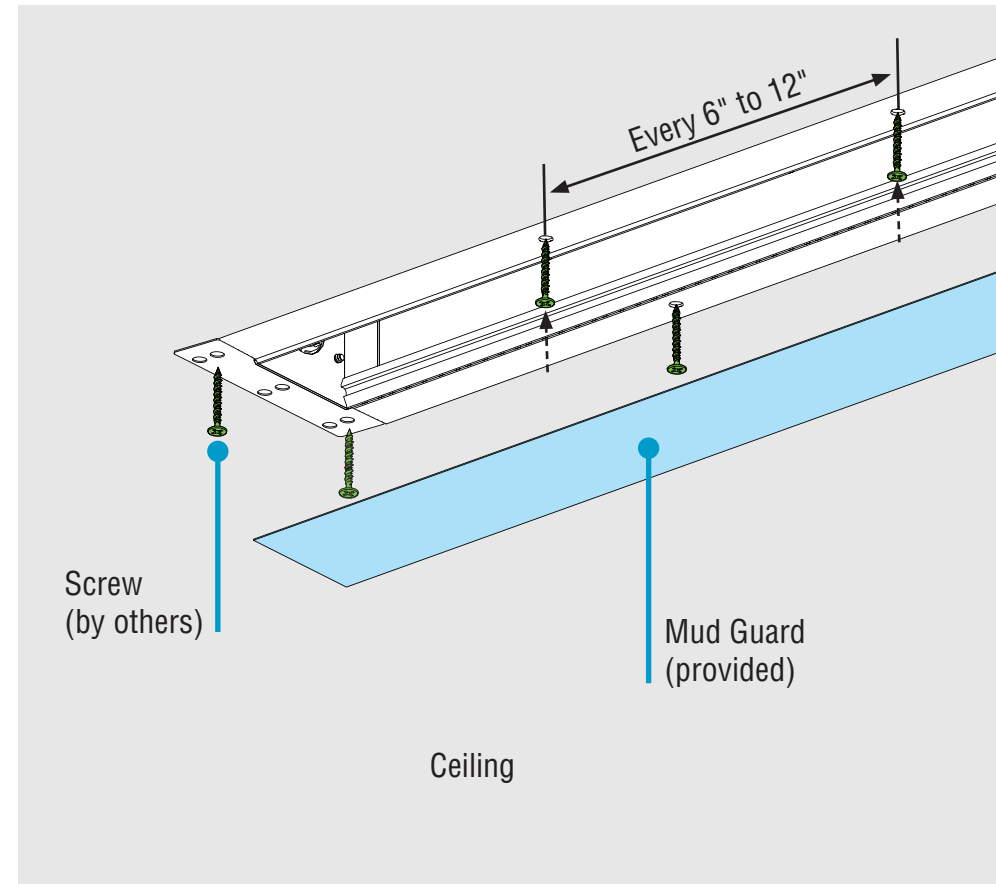
## Step 7 - Closing Luminaires

### A. Close All Backplates



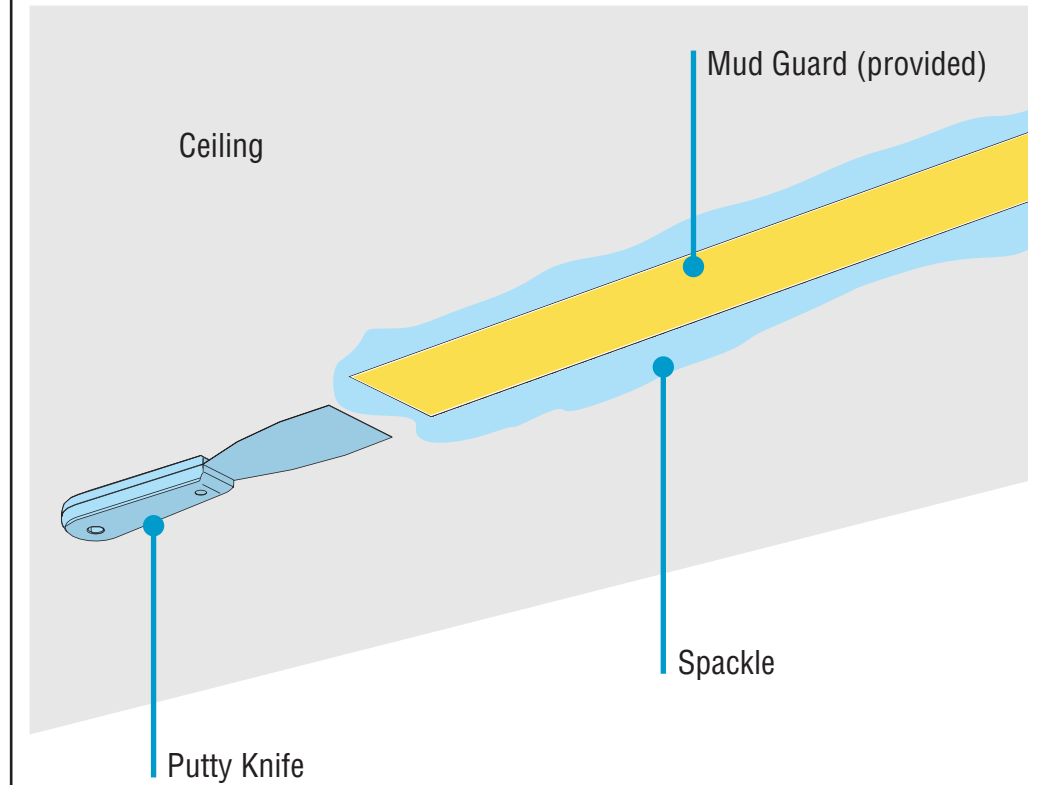
- Reinstall backplates by inserting into luminaire body. Hear 4 clicks per LED backplate. Make sure ALL LED backplate secure before install diffusers.

### B. Secure Flange To Structure



- Secure flanges to wall/ceiling using appropriate screws or fasteners<sup>1</sup> for hard surface, per local building codes.
- Install the "mud guard" cardboard inserts to help prevent spackle and paint from getting into the luminaire.

### C. Apply Spackle



- Spackle and paint over flanges up to luminaire edge.
- **CAUTION:** Careful not to drop spackle into luminaire. Immediately wipe off excess spackle that may have gotten onto luminaire edges.
- Perform all spackling and painting to walls and ceiling prior to removing "mud guards."
- Remove all mud guards.



Screws/Fasteners  
(by others)

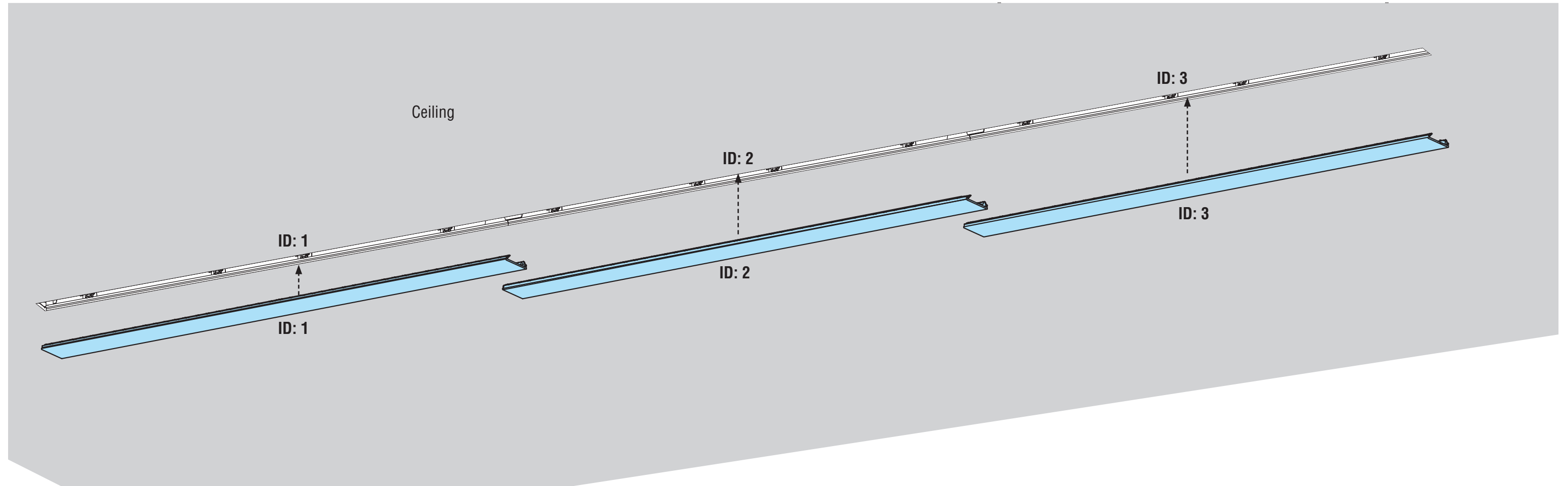
<sup>1</sup> Screws or fasteners: drywall - drywall screws, wood - wood screws, etc.

CONTINUED

# HPX Recessed Spackle Flange Installation Instructions

## Step 7 - Closing Luminaires

### D. Final Step - Replace Diffusers



- **NOTE:** If your installation includes a battery backup, please see addendum (98333) that should be included with your kitting package.
- Remove diffusers from protective plastic bag.
- **CAUTION:** Wear gloves to keep diffuser surface clean.
- **CRITICAL:** Be sure to install correct diffuser to its corresponding luminaire ID.
- Install diffusers into luminaire body, ensuring they snap into place.
- Turn power on to luminaire.