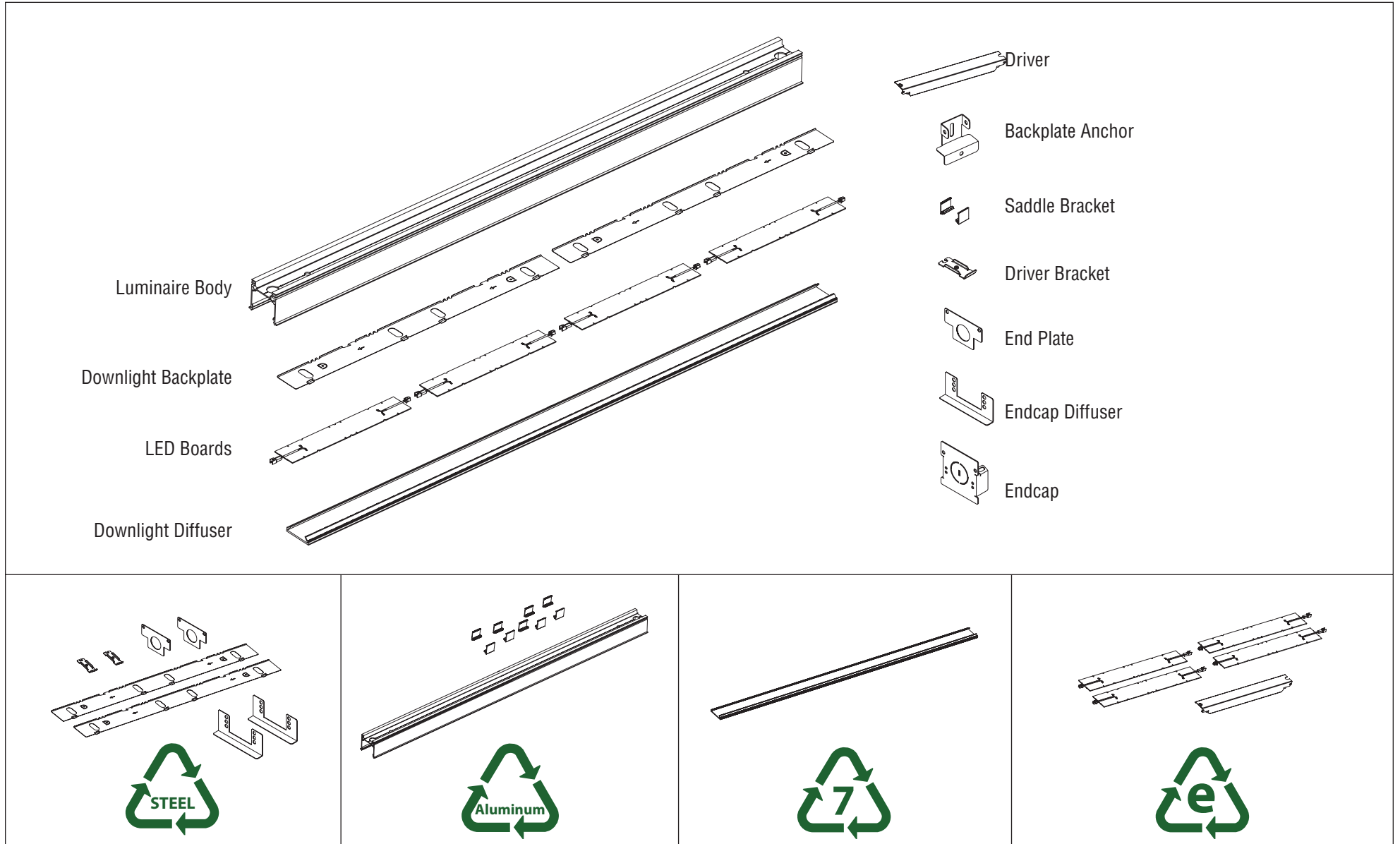


HPX Recessed

HPX R T-Bar Recycling Luminaire Breakdown

Luminaire breaks down easily for recycling at the end of usable life*.



*Recycling information typical for all luminaire sizes. Contact factory for more information.

Protected by one or more US Patents: 8915613; 9681516,B2; D702,390

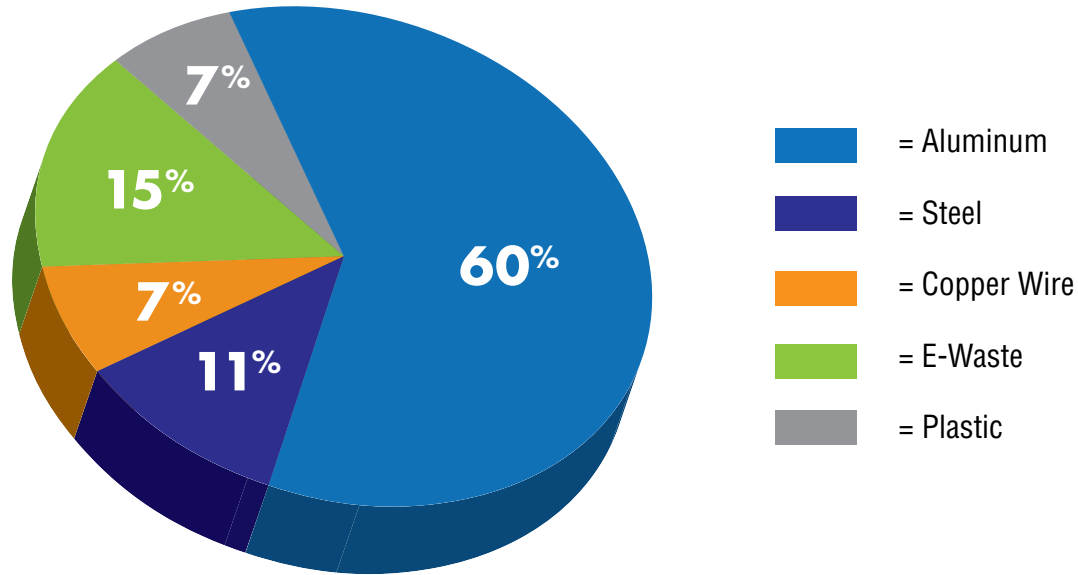
Due to continuing improvements, Finelite reserves the right to change specifications without notice. Please visit www.finelite.com for most current data.

HPX Recessed

HPX R T-Bar Recycling Luminaire Breakdown

100% Recyclable

HPX R T-Bar components are constructed from aluminum, steel, copper wire, e-waste, and plastic.
HPX R T-Bar is 100% recyclable at the end of useful life.

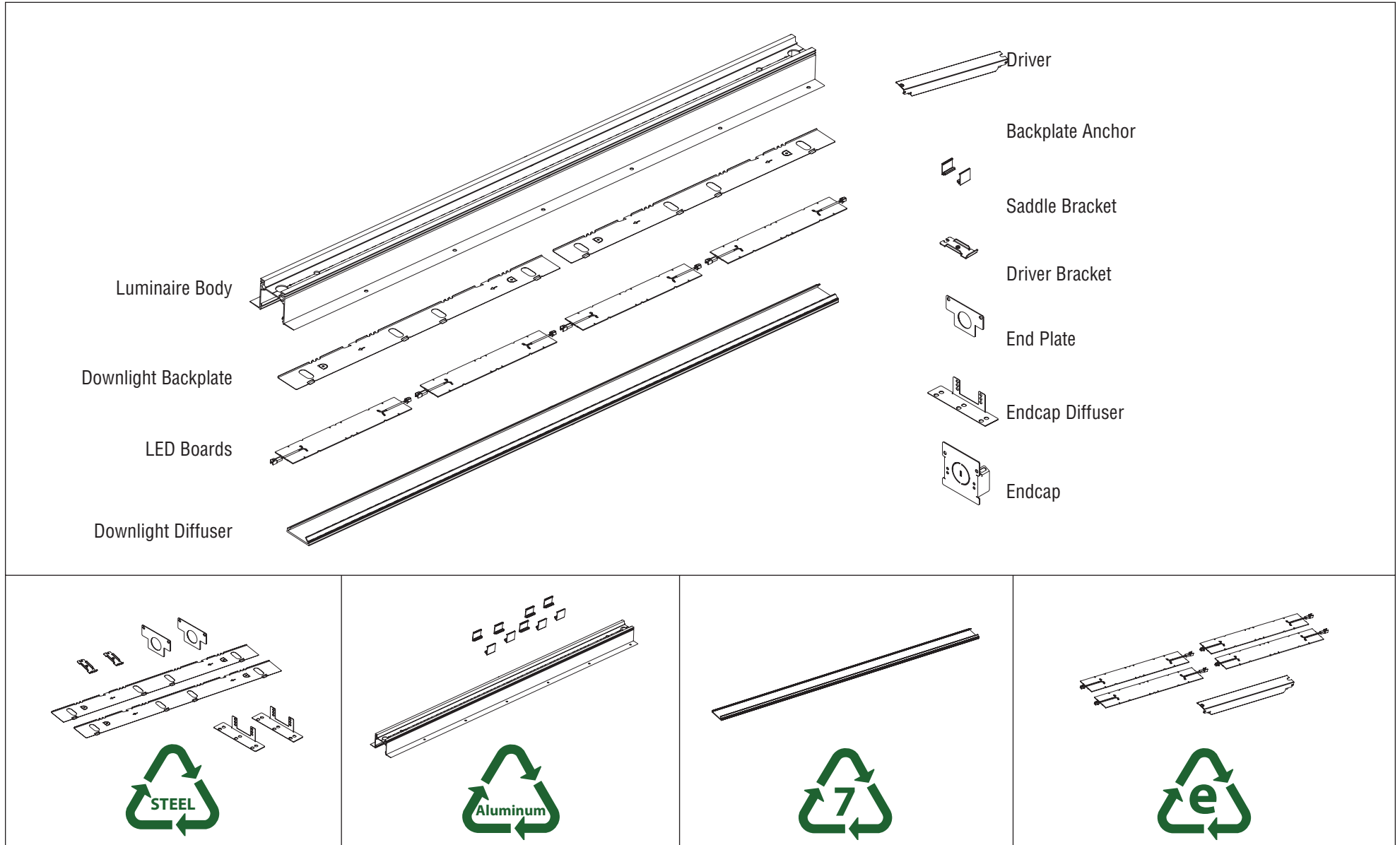


Due to continuing improvements, Finelite reserves the right to change specifications without notice. Please visit www.finelite.com for most current data.

HPX Recessed

HPX R Spackle Flange Recycling Luminaire Breakdown

Luminaire breaks down easily for recycling at the end of usable life*.



*Recycling information typical for all luminaire sizes. Contact factory for more information.

Protected by one or more US Patents: 8915613; 9681516,B2; D702,390

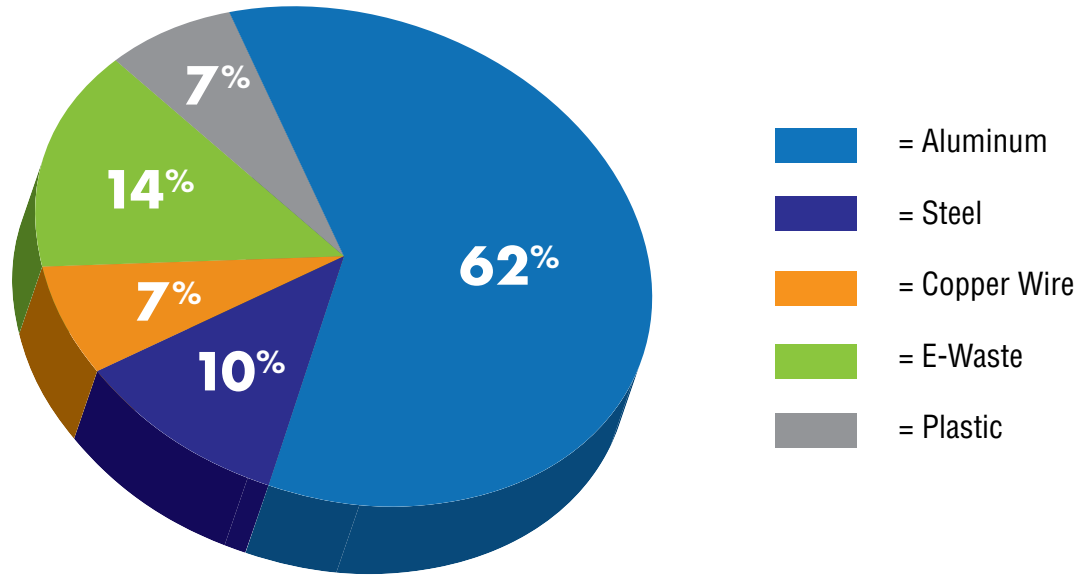
Due to continuing improvements, Finelite reserves the right to change specifications without notice. Please visit www.finelite.com for most current data.

HPX Recessed

HPX R Spackle Flange Recycling Luminaire Breakdown

100% Recyclable

HPX R Spackle Flange components are constructed from aluminum, steel, copper wire, e-waste, and plastic. HPX R Spackle Flange is 100% recyclable at the end of useful life.



Due to continuing improvements, Finelite reserves the right to change specifications without notice. Please visit www.finelite.com for most current data.