

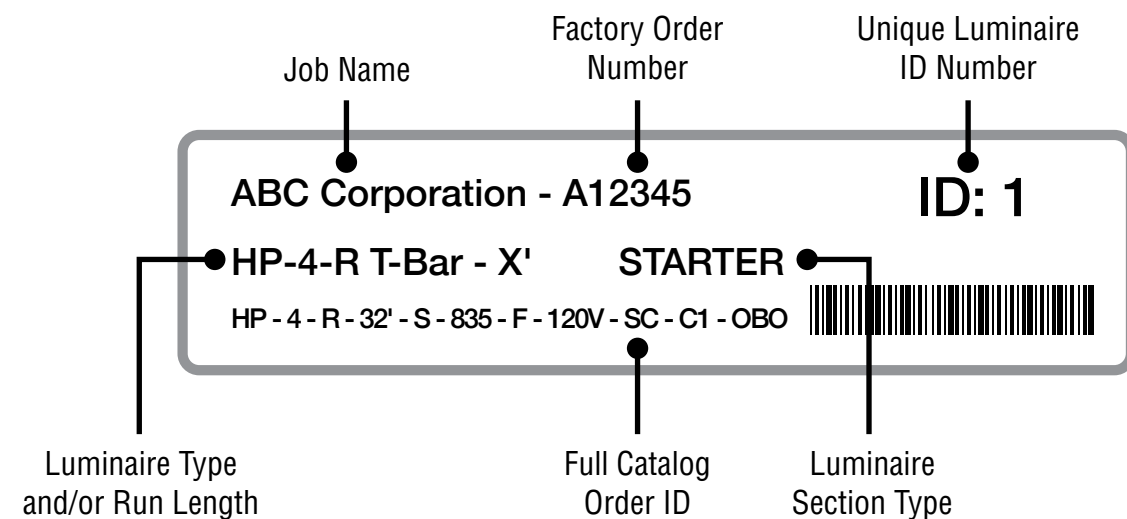
# Before Installation: Look for Labels



HELPFUL  
VIDEOS



Gridbox  
Installation



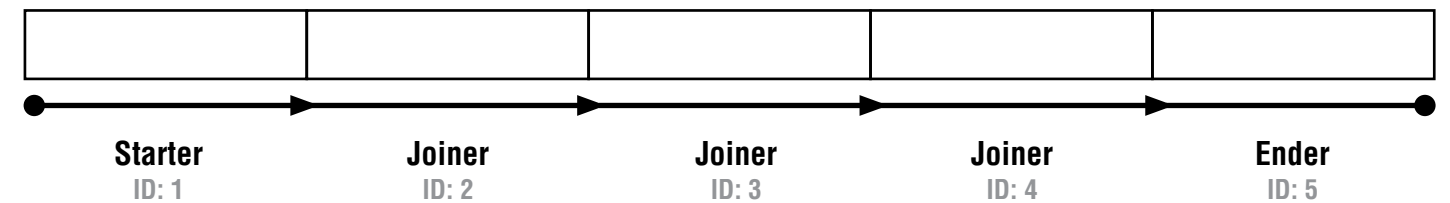
- Identify all luminaires by their ID label in various places:
  - 1 label at each end of box (or bag)
  - 1 label on box top (or bag top)
  - 1 label on luminaire (permanent)
- Keep plastic bags **ON** for protection. **NOTE:** T8 lamps may be turned on while still in their bags.  
**CAUTION:** T5 and T5-HO lamps get too hot - remove bags before turning lamps on.

**FINELITE**<sup>®</sup>  
*Better Lighting*



**CAUTION**

**DO NOT** attempt to join luminaires together on the floor. Damage may result when lifted. Follow these instructions.



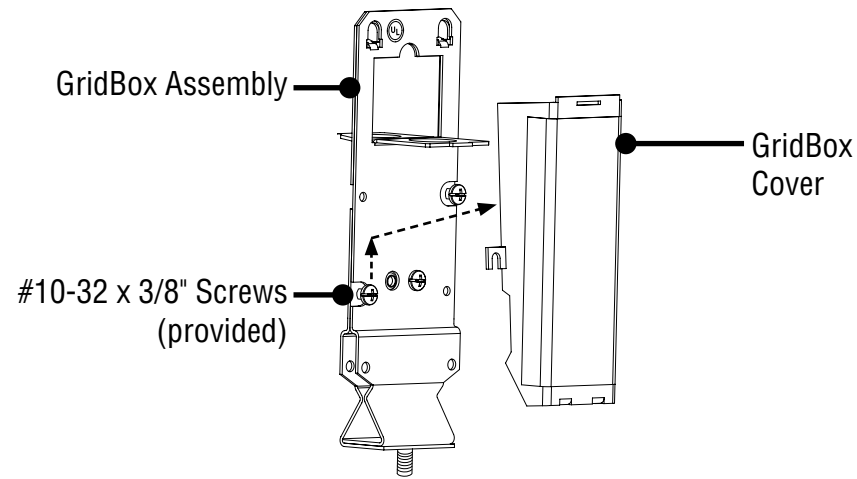
**Hang luminaires in ID order. Hang prior to joining.  
Hang, level, join, repeat to the end of the run.**

- Lay out luminaires starting with ID: 1, then ID: 2, etc.
- Hang STARTER luminaire ID: 1. Secure both ends to mounting aircraft cable and level.
- Hang far end of JOINER ID: 2 while supporting both ends.
- Join ID: 1 and ID 2 by attaching plug-together wiring, screwing luminaires together.
- **NOTE:** See [Finelite.com](http://Finelite.com) for additional mounting and joining instructions for each Finelite Series.

# GridBox™ Installation Instructions

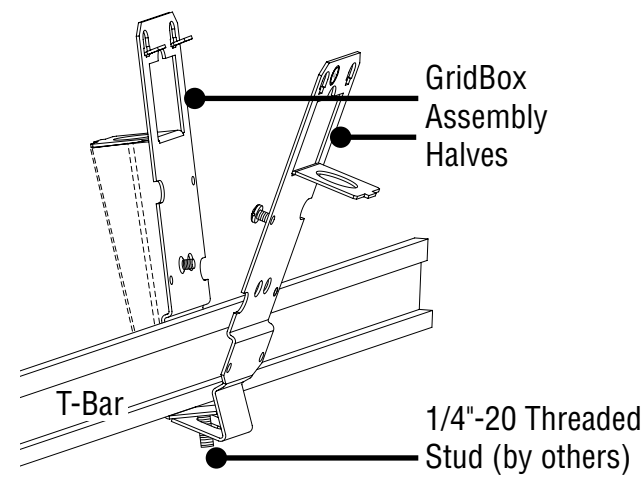
## Single-Feed Instructions

### 1. Remove Cover



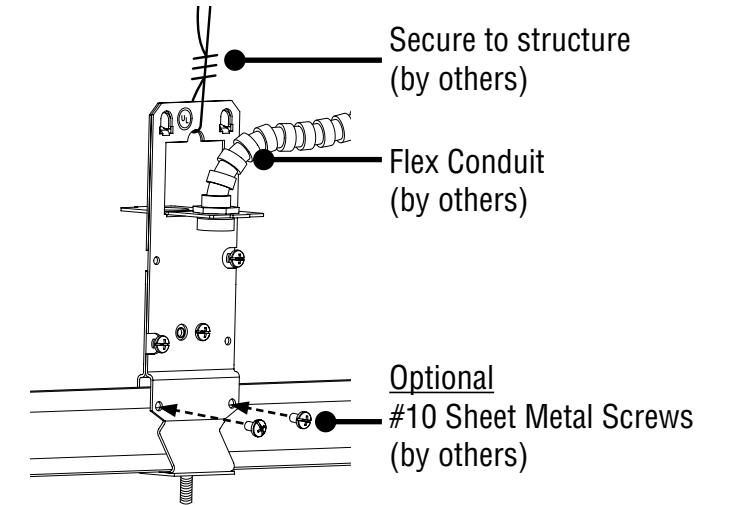
Loosen (2) #10-32 x 3/8" screws and temporarily remove the GridBox™ cover.

### 2. Separate Assembly Halves



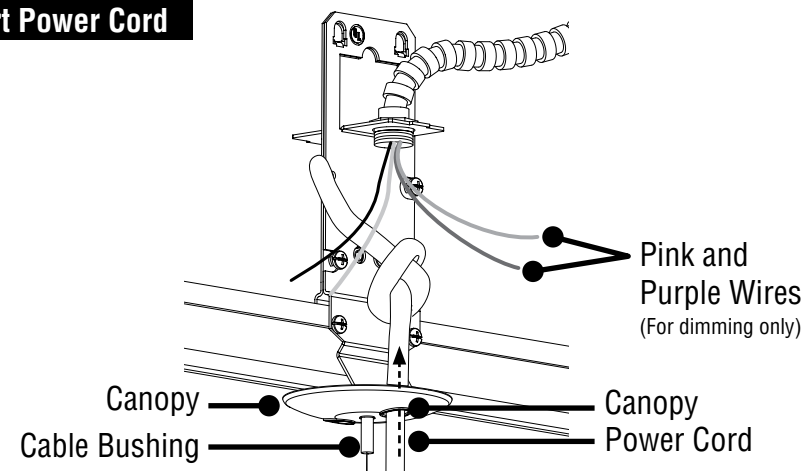
Separate the two halves. Rest the T-Bar on one half and guide the 1/4"-20 threaded stud at the bottom through the elongated slot of the other half. This stud is used to hold on the luminaire cable bushing.

### 3. Attach Assembly to Building



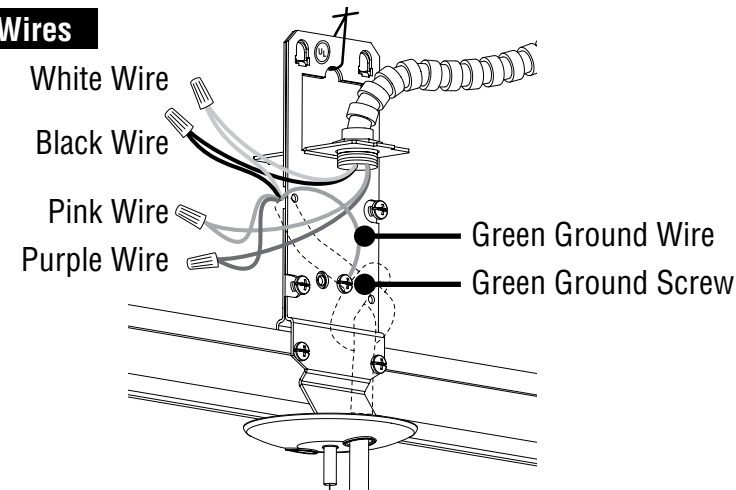
Clamp around the T-Bar at the desired location and securely attach the main GridBox assembly to the building structure with wire or other approved method. The extra screw holes accept #10 sheet metal screws and can be used to secure the unit in position on the T-Bar. This is recommended to pull the box tight to the T-Bar and flush with the ceiling. Install building power feed conduit through 7/8" hole on GridBox assembly. Make sure the conduit connector for this feed is tight. Leave at least 6" of wire available for splicing the luminaire power wires.

### 5. Insert Power Cord



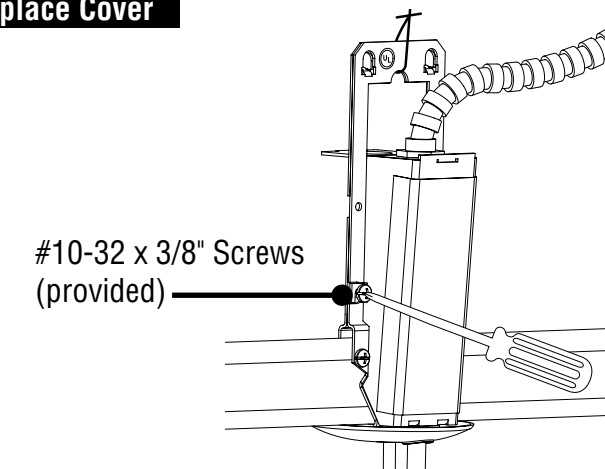
Insert luminaire power cord from luminaire through the bushing in the canopy. Align the canopy with the 1/4"-20 threaded stud on the GridBox assembly and screw on the supplied cable bushing which holds up the luminaire. Make sure it's finger tight and snug to the T-Bar. This may have to be repositioned after the ceiling tile is installed. **IMPORTANT:** Place an overhand strain relief knot on the cord.

### 6. Connect Wires



Strip the outer covering from the cord, leaving about 6" of black, white and green wire. Strip ends approximately 5/8" and install green ground wire from cord to green ground screw on GridBox assembly. Make sure the connection is tight by slightly pulling on the wire. Connect the black and white wires from the cord to corresponding black and white wires from the conduit feed. **NOTE:** If dimming is included, connect purple and pink dimming wires to dimming system. Cap the purple and pink wires individually if luminaire is not to be dimmed.

### 7. Replace Cover



Arrange all wiring neatly towards the center of the assembly and place cover to align with mounting holes. Tighten (2) #10-32 x 3/8" screws until the cover is flush with the assembly. Make sure there are no pinched wires. Notch ceiling tile around the GridBox outline and install.

